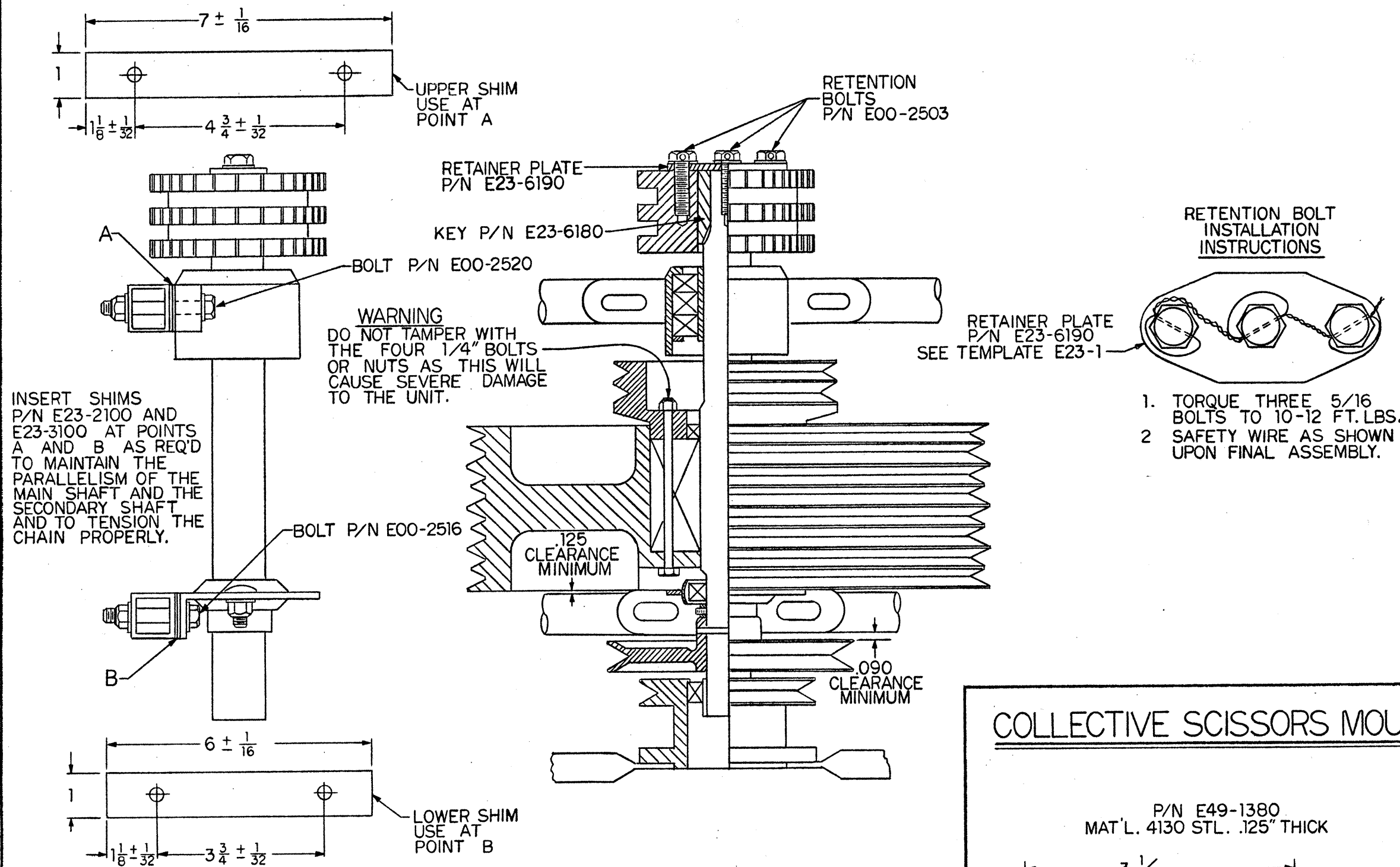
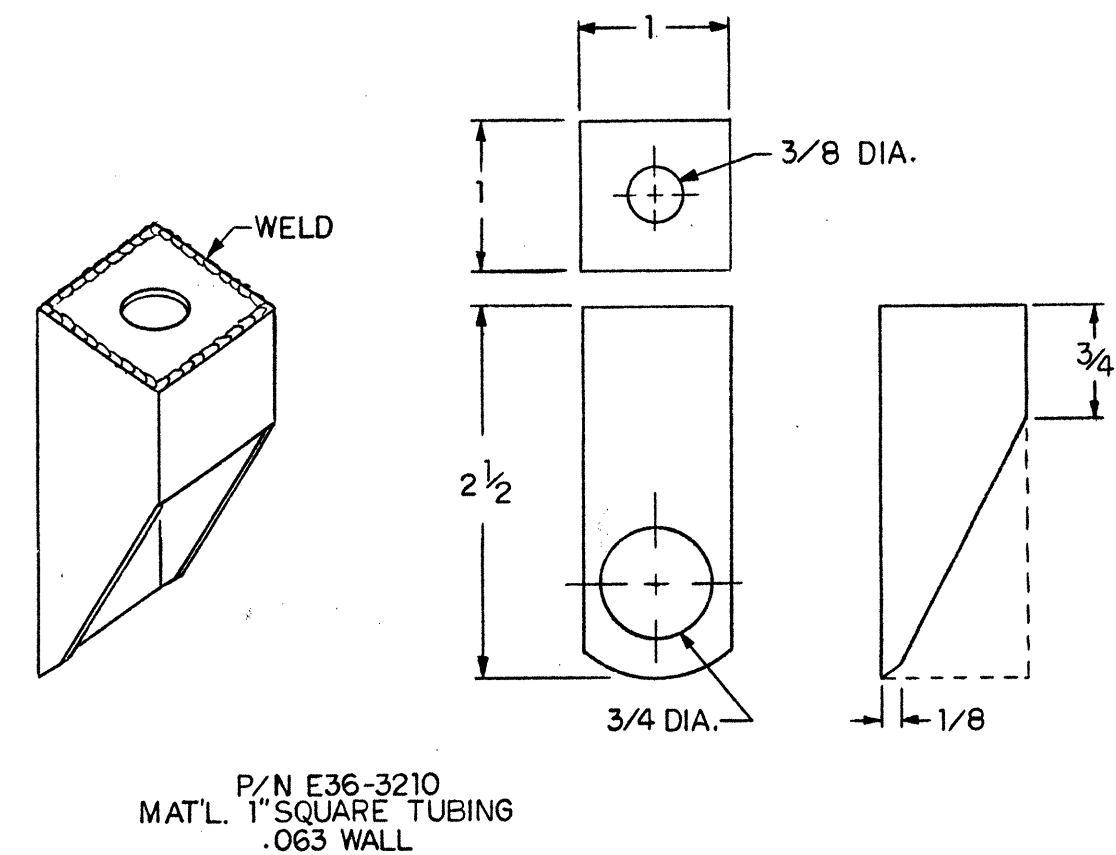


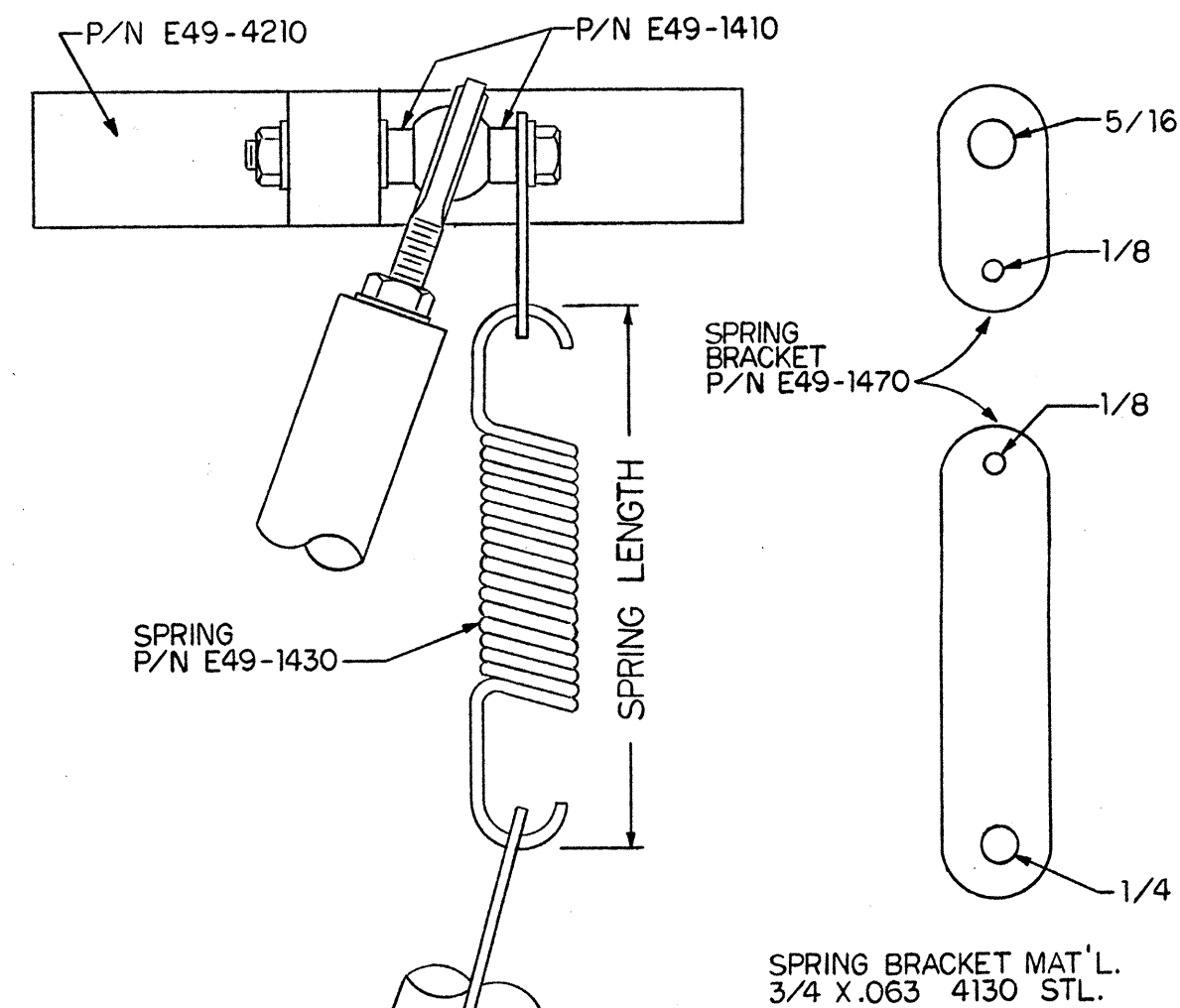
SECONDARY DRIVE INSTALLATION



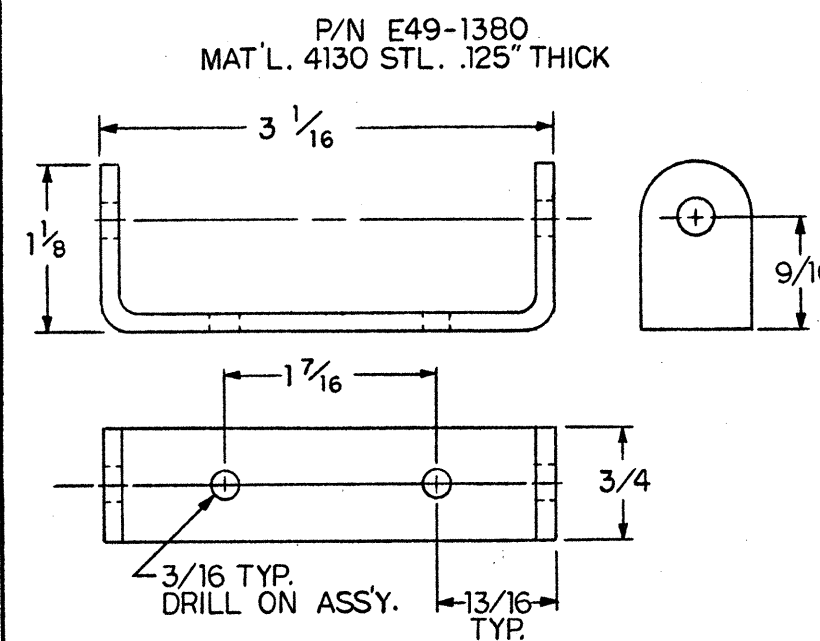
ROTOR TACH SENSOR MOUNT



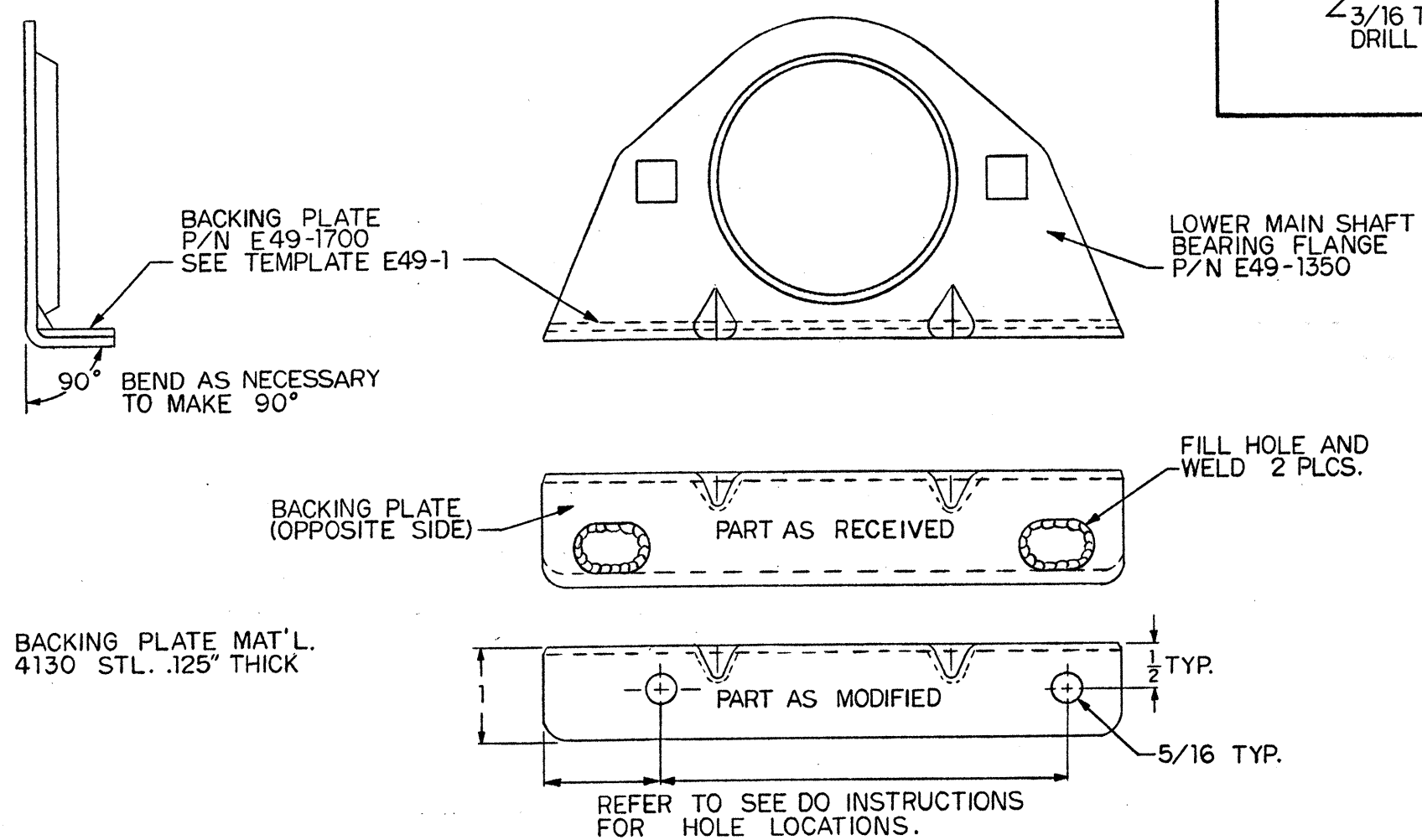
COLLECTIVE CONTROL SPRING ATTACHMENT



COLLECTIVE SCISSORS MOUNT



LOWER MAINSHAFT BEARING FLANGE BACKING PLATE MODIFICATION



ROTORWAY INTERNATIONAL PHOENIX, ARIZONA		
SCALE: NONE	APPROVED BY: <i>[Signature]</i>	DRAWN BY WAR
DATE: 2-1-91		REVISED
SECONDARY DRIVE BACKING/PLATE MODIFICATION, ROTOR TACH SENSOR MOUNT, COLLECTIVE SCISSORS MOUNT, SPRING ATTACHMENT		
		DRAWING NUMBER E23-2000

SPRING LENGTH	
COLLECTIVE	FULL
UP	DOWN
7-1/2	8-3/4